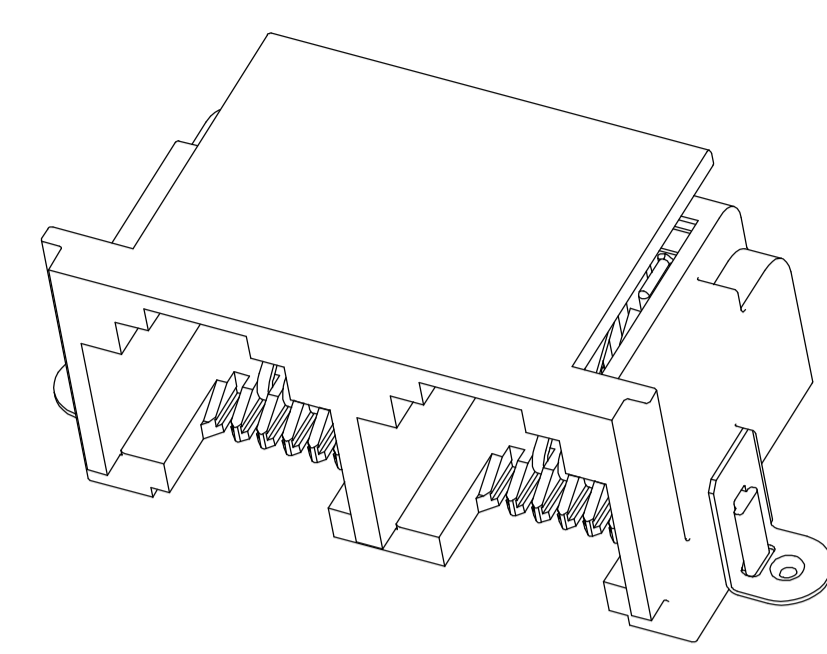
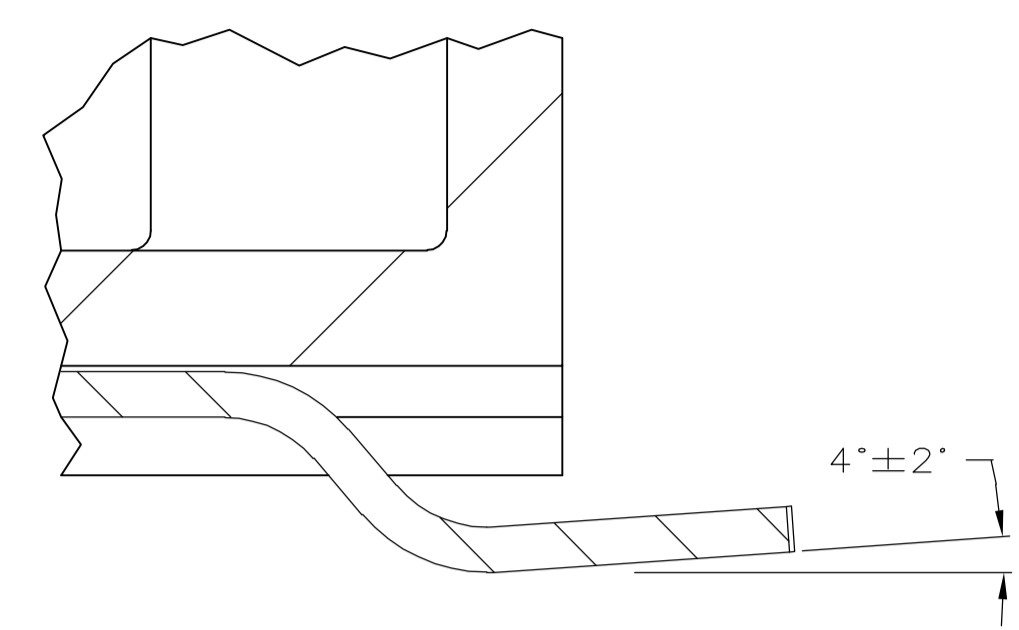
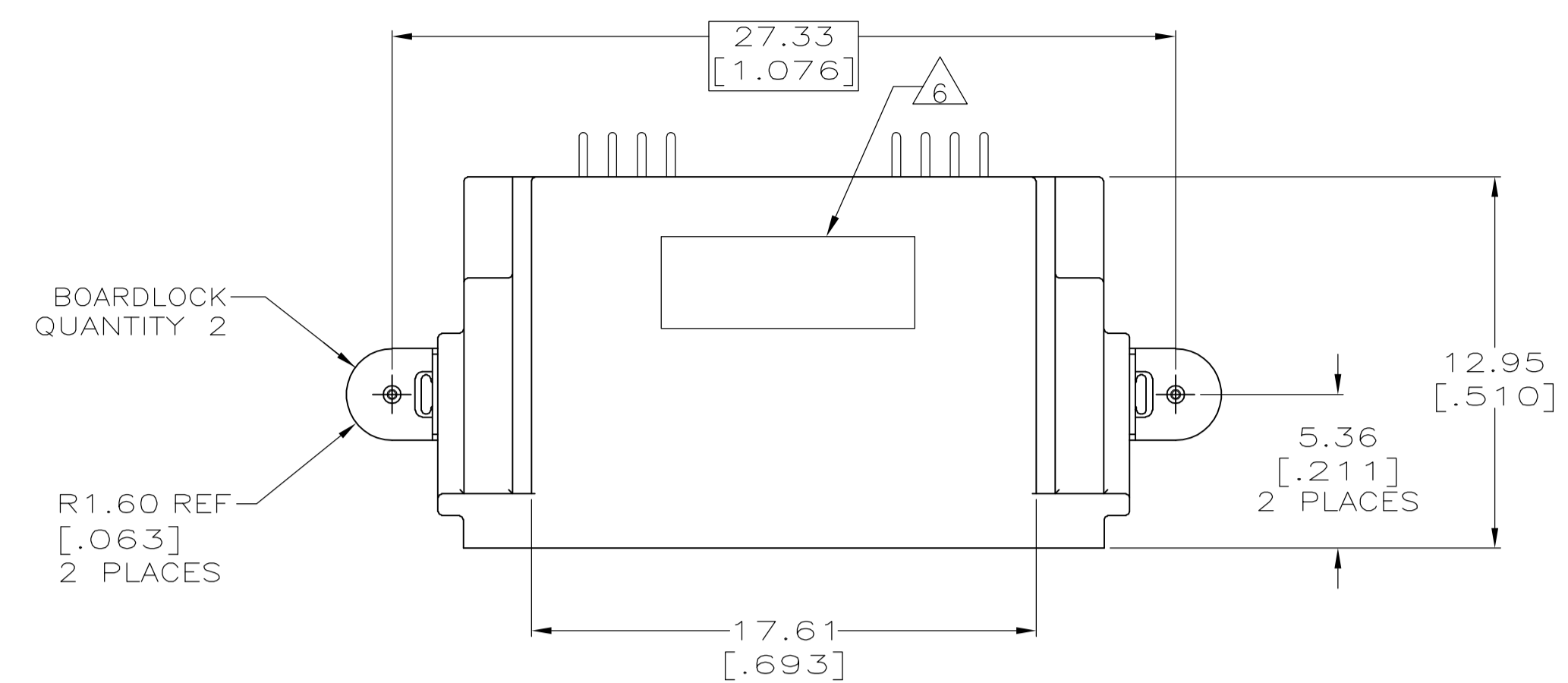
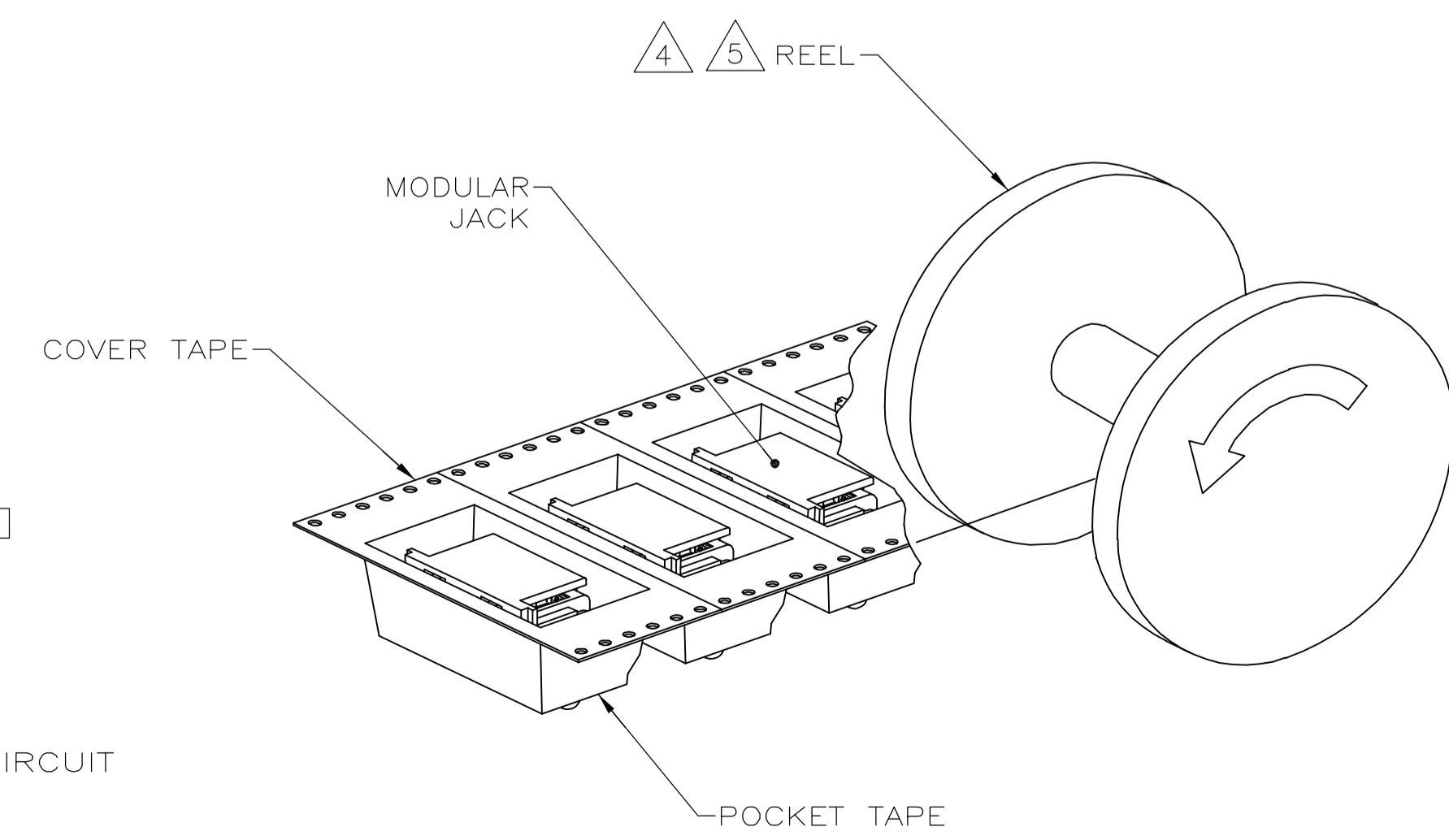
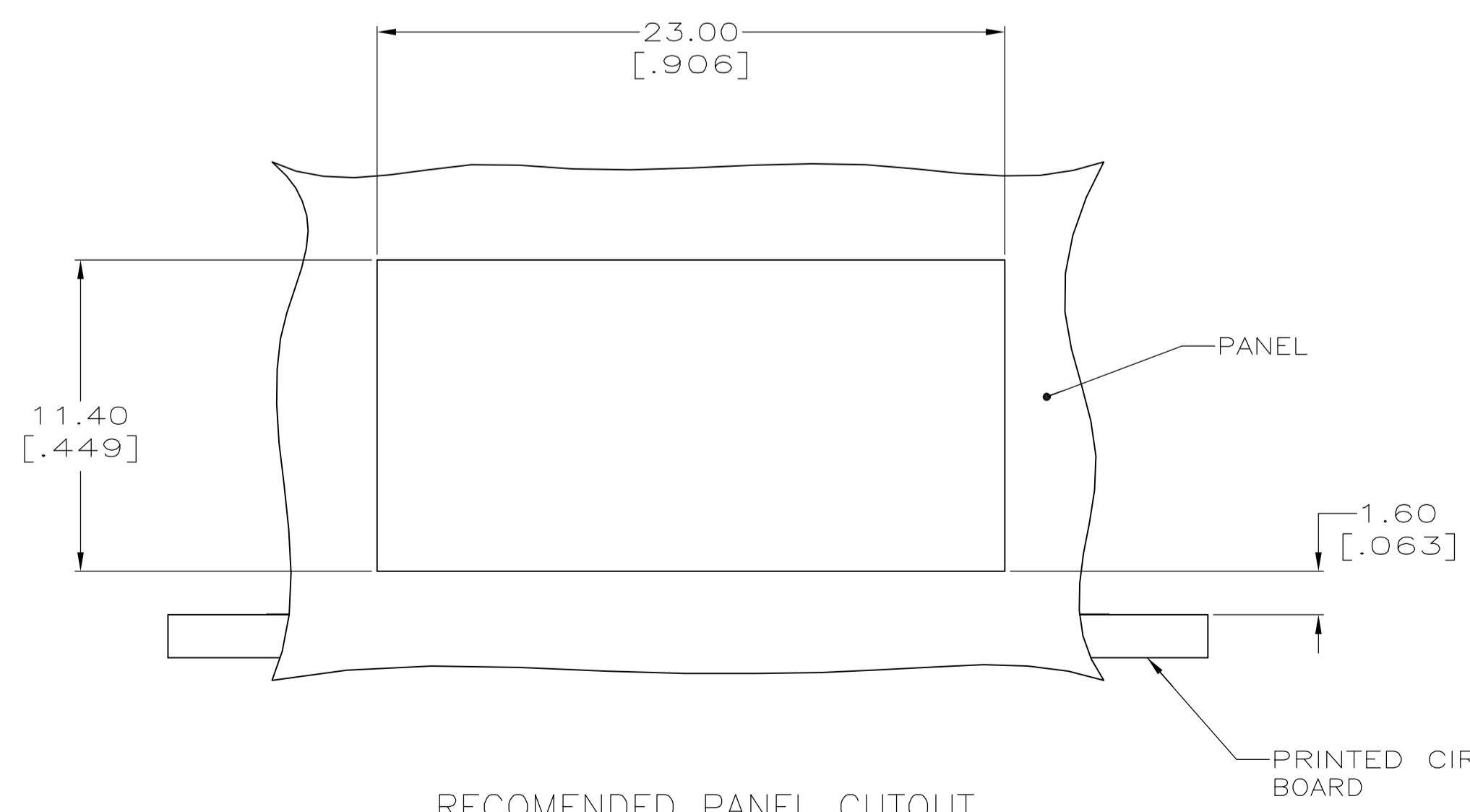
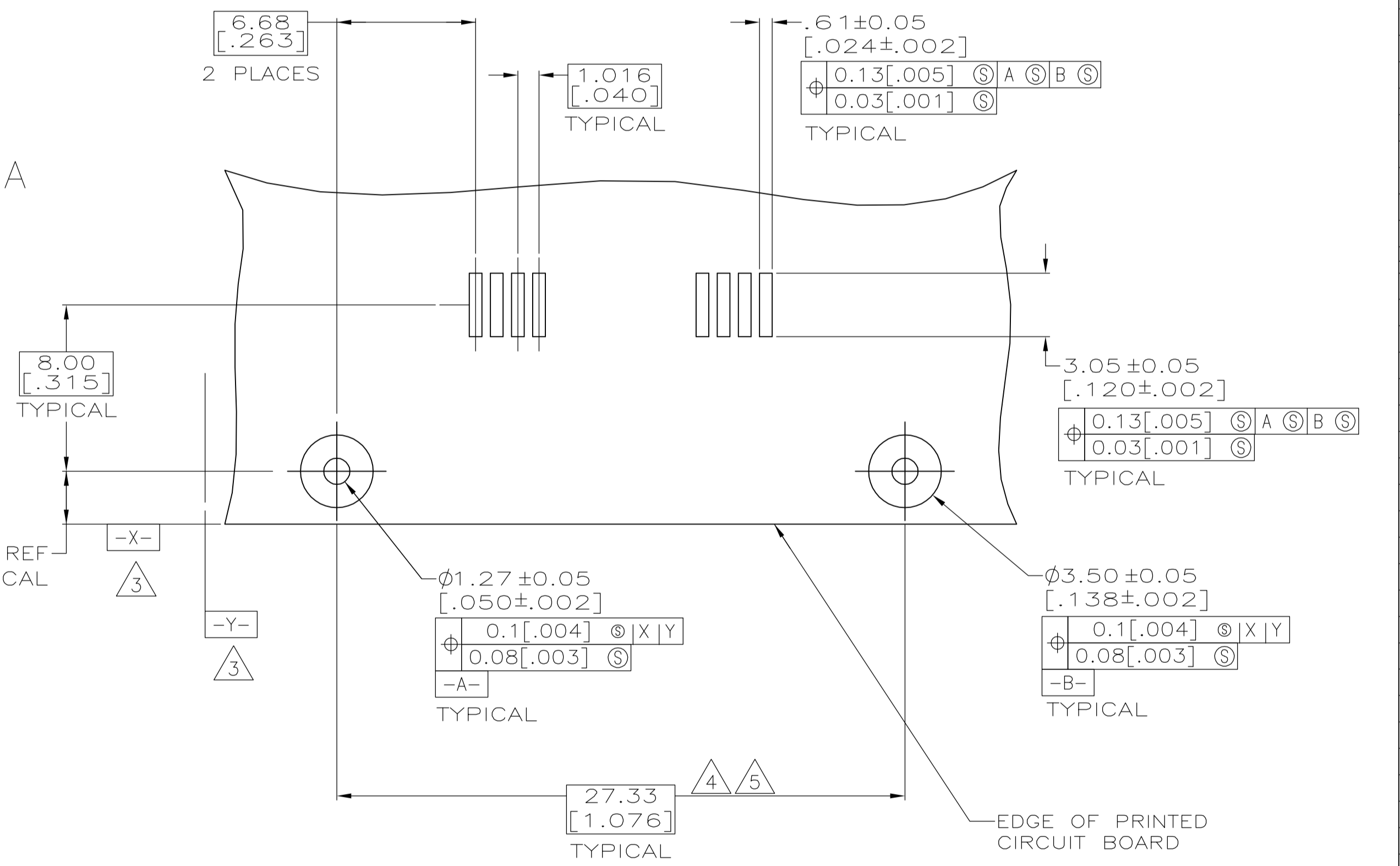
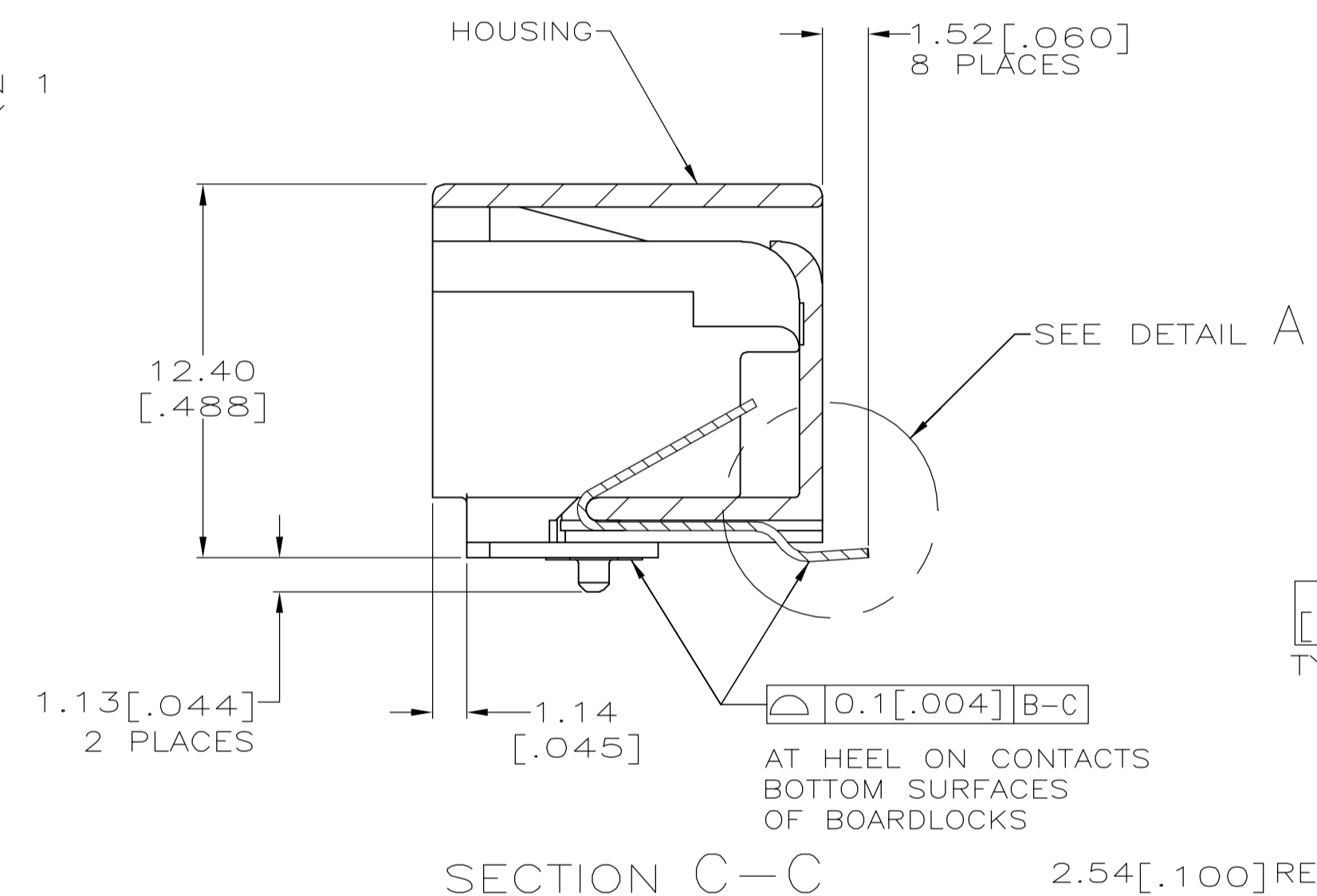
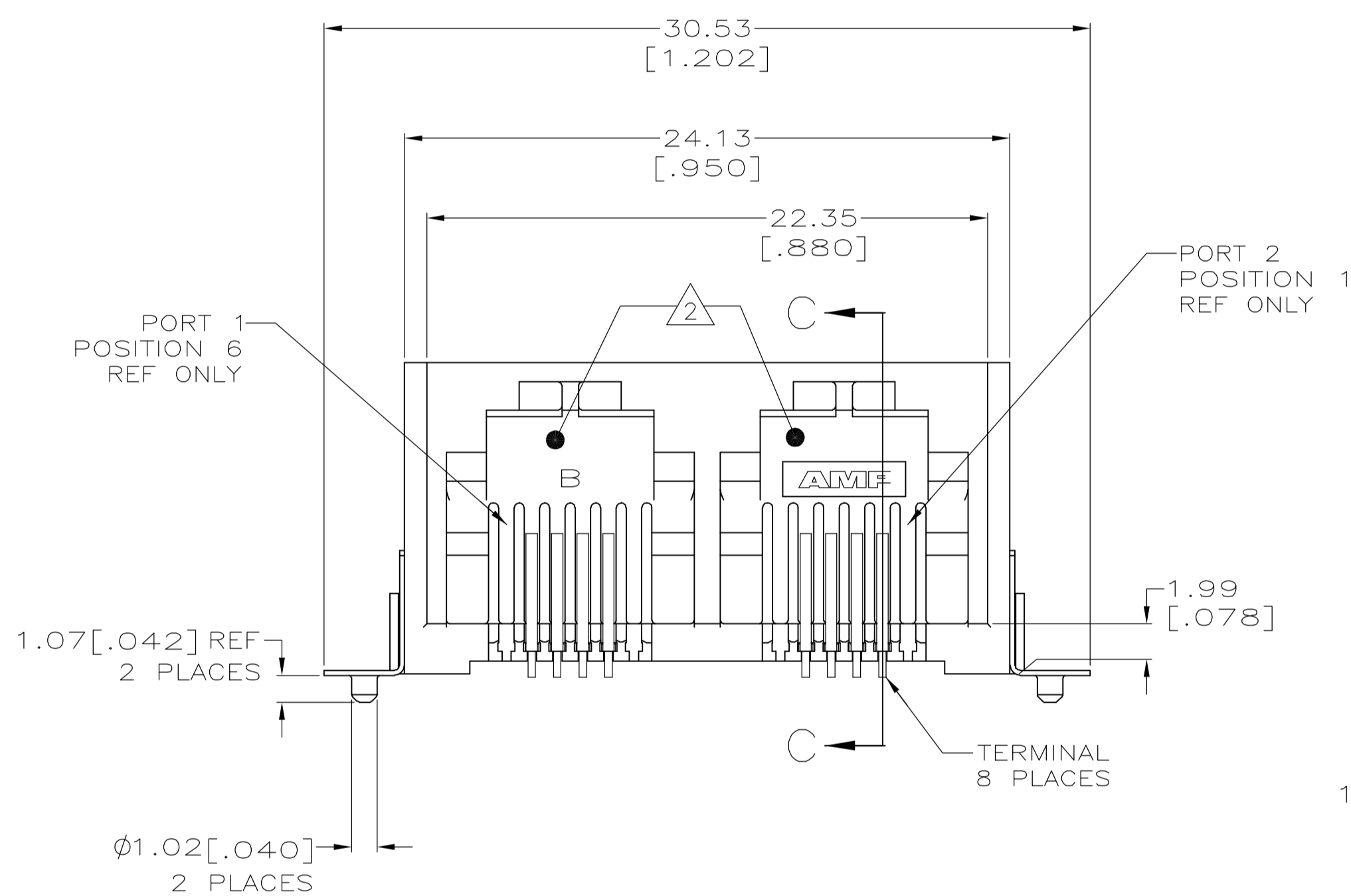


LOC	DIST	REVISIONS			
P	LTR	DESCRIPTION	DATE	OWN	APVD
A	REV PER EC	0S11-0201-04	09JUN2005	JA	SF



- 1 MATERIAL: HOUSING - HIGH TEMPERATURE THERMOPLASTIC, SEE TABLE FOR COLOR. TERMINALS - 0.3[.012] THICK COPPER ALLOY PLATED WITH 1.27µm[.000050] MINIMUM GOLD IN LOCALIZED CONTACT AREA, 2.5µm[.000100] MINIMUM MATTE TIN ON TERMINATION END, OVER 1.27µm[.000050] MINIMUM NICKEL OVER THE ENTIRE TERMINAL. BOARDLOCK - BRASS, 1/2 HARD, 2.54µm[.000100] MINIMUM MATTE TIN OVER 1.27µm[.000050] MINIMUM NICKEL.
- 2 JACK CAVITY CONFORMS TO FCC RULES AND REGULATIONS, PART 68 SUBPART F.
- 3 DATUM ESTABLISHED BY CUSTOMER.
- 4 PACKAGING TAPE AND REEL:(PER EIA 481 SPEC) TAPE - 44mm[1.73] WIDE POCKET PITCH - 24mm[.945] CORRUGATED REEL DIAMETER - 560mm[22.0] PIECES/REEL - 650
- 5 PACKAGING TAPE AND REEL:(PER EIA 481 SPEC) TAPE - 44mm[1.73] WIDE POCKET PITCH - 24mm[.945] PLASTIC REEL DIAMETER - 330mm[13.0] PIECES/REEL - 200
- 6 MANUFACTURING DATE CODE LOCATED APPROXIMATELY AS SHOWN. FIRST 2 DIGITS ARE YEAR, SECOND 2 DIGITS ARE WORK WEEK, AND LAST DIGIT IS DAY OF THE WEEK



COLOR	PACKAGING	PART NUMBER
LEMON YELLOW	5	5406393-5
BLACK	5	5406393-3
GRAY	4	5406393-1

THIS DRAWING IS A CONTROLLED DOCUMENT.

DW: J. ALCORTA - 09JUN2005	CHK: S. WESTMAN - 09JUN2005	APR: S. FLICKINGER - 09JUN2005	NAME: S. FLICKINGER	DATE: 09JUN2005
DIMENSIONS: mm [INCHES]		TOLERANCES UNLESS OTHERWISE SPECIFIED:		PRODUCT SPEC: 108-1689
0 PLC	± .005	1 PLC	± .005	APPLICATION SPEC: 114-6040
1 PLC	± .005	2 PLC	± .005	SIZE: A1
2 PLC	± .005	3 PLC	± .005	CAGE CODE: 00779
3 PLC	± .005	4 PLC	± .005	DRAWING NO: 5406393
4 PLC	± .005	ANGLES	± .005	RESTRICTED TO: -
MATERIAL		FINISH		CUSTOMER DRAWING

tyco Electronics Tyco Electronics Corporation Harrisburg, PA 17105-3608

MODULAR JACK ASSEMBLY, 6/4,2 PORT,SURFACE MOUNT,RIGHT ANGLE,WITH PANEL STOPS

SCALE 5:1 SHEET 1 OF 1 REV A